

**ENQUIRY**

To

**Sub:** Inviting offer for the Procurement of Indoor Resin Cast Current Transformer with Bar Primary (Bar primary should be copper bar with tin coated) - Reg.

\*\*\*\*\*

**QUOTATION TO BE:**

Submitted on or <b>before 14.10.2022 -5 PM</b>	Opened on <b>15.10.2022-12.00 PM</b>
Kept valid for <b>3 months</b> from the date of opening	Submitted in <b>TWO</b> parts

Sealed quotations are invited for the Procurement of Indoor Resin Cast Current Transformer as per Specification and as per the terms and conditions mentioned therein.

**Terms and conditions:**

1. The rate quoted should be firm and inclusive of GST, freight door delivery to PPCL site and other charges as admissible and should not be altered at any cost.
2. Applicable other charges, if any should be clearly mentioned. If not mentioned, it will be presumed that the rate quoted is inclusive of all other charges.
3. **EARNEST MONEY DEPOSIT:** An Earnest Money Deposit of **Rs 2300.00** (Rupees Two thousand and three hundred only) should be paid by demand draft drawn in favor of the EXECUTIVE ENGINEER (MECH.), Puducherry Power Corporation Ltd T.R. Pattinam, Karaikal on any Nationalized/Schedule bank payable at Karaikal. The earnest money deposit will bear no interest and will be released after successful supply of materials and acceptance.
4. Parties registered with NSIC or SSI/MSME is exempted for submitting EMD/SD. However copies of supporting Documents/Certificates should be kept in separate cover super scribing "**Earnest Money Deposit Exemption**".
5. The party shall be required to place the earnest money and the tender in separate sealed envelopes marked "Earnest Money" and "Tender" respectively. Both the envelopes shall then be placed in another sealed envelope and submitted to the tender inviting authority in the usual manner. The officer opening the tenders shall first open the envelope containing the earnest money. If the earnest money is found to be in order, only then the Officer shall proceed further with opening the tender.
6. The materials should be original and specified make only.
7. **The CT should be as per the enclosed dimensional drawing. The supplier should submit the dimensional drawing of the CT along with the offer.**

**ENQUIRY PAGE NO . 2**

8. The materials should be directly supplied to the PPCL site, T. R. Pattinam, Karaikal - 609606, on door delivery basis.
9. **Payment: 100%** Payment will be made **within 30 days** from the date of receipt of your invoice after receipt of materials in good condition.
10. The bill in triplicate along with **Advance stamp fixed and signed receipt** should be sent to the undersigned for effecting payment. Part payment will not be made for the supplied items.
11. The delivery period and mode of dispatch should be clearly specified.
12. Validity: Your offer should be **valid for 90 days** from the date of tender opening.
13. The supplier should produce the necessary test, guarantee/warranty certificates for the Current Transformers at the time of delivery
14. Sealed quotations should be superscripted as "**QUOTATION/ENQUIRY NO.V-018R1**" for the supply of Indoor Resin Cast Current Transformer with Bar Primary.
15. Quotations through fax /e-mail not accepted.
16. If the tender opening date happens to be a holiday, the tender will be opened on the next working day.
17. GST details of the agency to be furnished along with the offer.
18. Our **GSTIN No.34AAACP6507E1ZS** is registered with Commercial Taxes Department, Puducherry.
19. The undersigned reserves all rights to accept/reject any or all the quotations without assigning any reasons thereof.

  
**EXECUTIVE ENGINEER (MECH)**

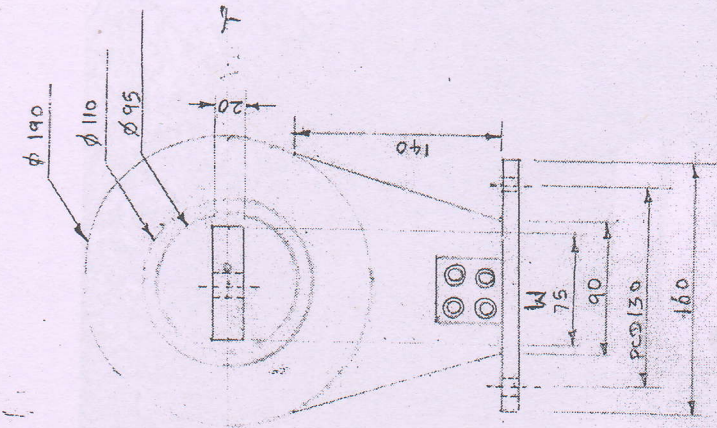
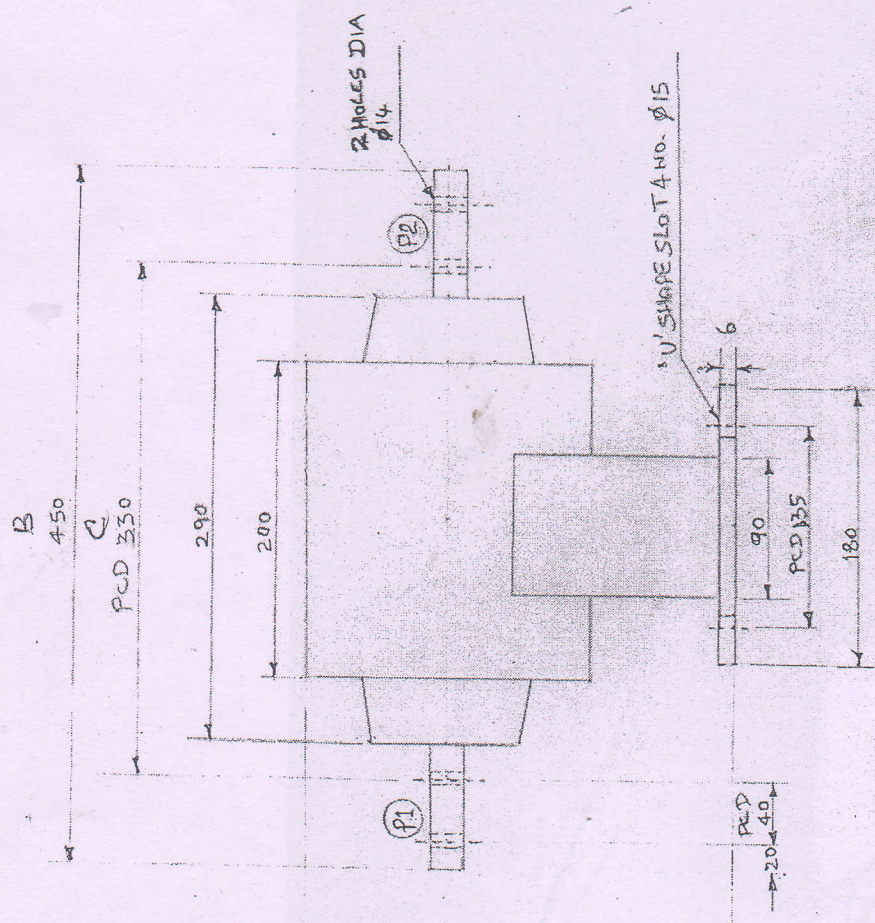
**ENQUIRY PAGE NO . 3**

Sl. No.	Description	Qty Reqd	Unit Rate In Rs.	Total Amount (in Rs.)
01	<p><b>Indoor Resin Cast Current Transformer with Bar Primary (Bar Primary should be copper bar with tin coated) (As Per the enclosed dimensional drawing of CT)</b>                      Make: Kappa/Silkaans  <b>Bar Dimensions W=75mm, T=20mm, B=450mm, C=330mm.</b>                      Sys.Voltage:11KV Type:CB4-08(Ring)/CB4-21                      VA /Class for Core 1:20 VA / 0.2S                      VA /Class for Core 2:15 VA/5P 20                      Ratio: 2000/1-1 A                      ILV: 12/28/75Kv, 50Hz STR: 40kA/3 sec, as per IEC61869-1, 2, with sealing Cover.                      Secondary terminal should be on P1 side,                      System of earthing: Non effective earthed.  <b>The number of termination holes at P1 &amp; P2 side is two as per our dimensional drawing and photo.</b></p>	03 No's		
Sub - Total				
Add: Packing & Forwarding charges@			%	
Add: Freight charges@			%	
Add: GST@			%	
Total Amount				

**Commercial Terms and Conditions:**

Sl. No.	Details	Terms in Tender	Terms Accepted by the Party
1	Price Quoted	F.O.R. PPCL, Site.	
2	Payment Terms	As per the terms and conditions	
3	Validity	90 Days	
4	Delivery Period	Vendor to specify	
5	Guarantee/ Warrantee	Vendor to specify	
6	Acceptance of All the Terms and Condition of the Enquiry	To be Accepted	

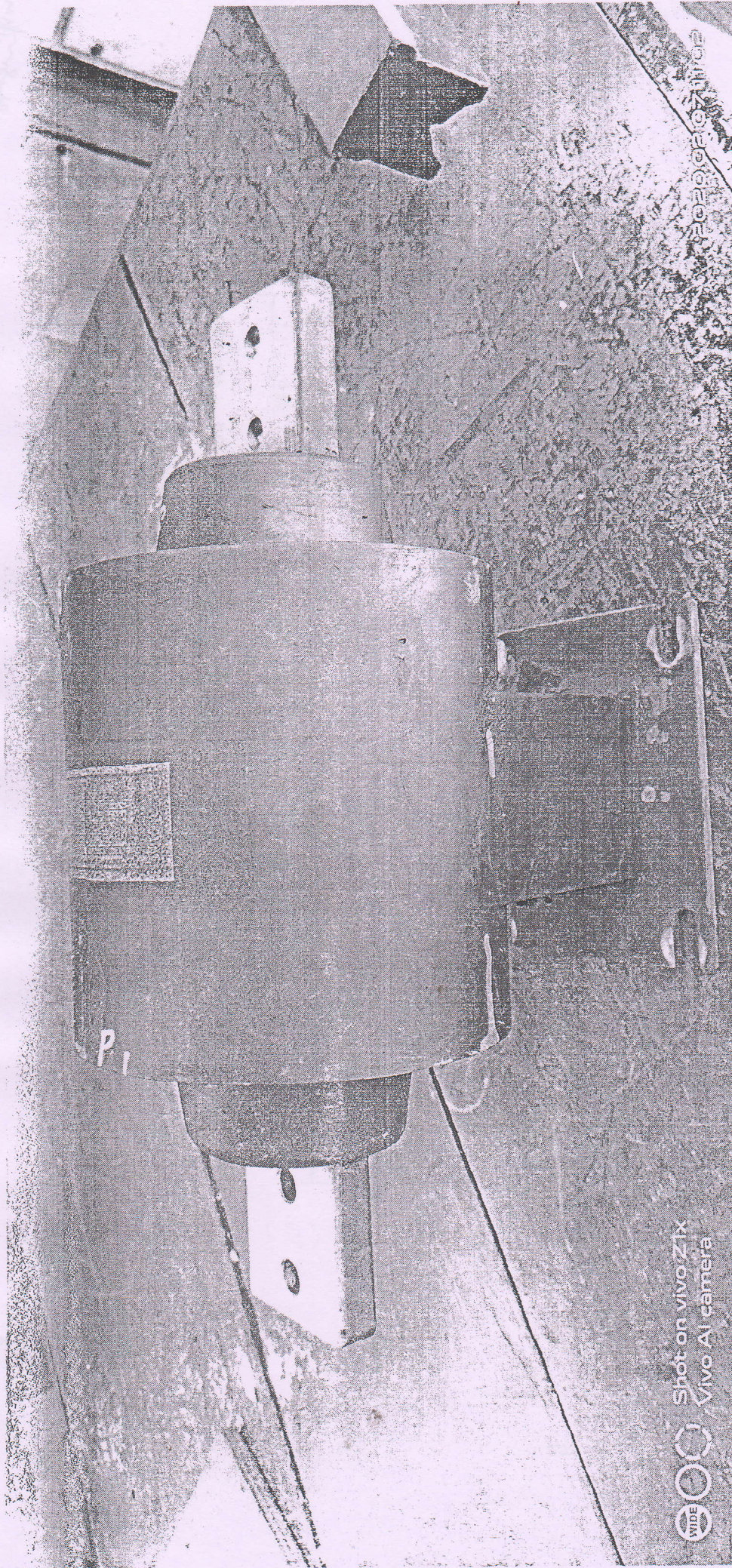
Signature of the party with seal



INDOOR RESIN CAST BAR PRIMARY CURRENT TRANSFORMER  
 ALL DIMENSIONS ARE IN MM  
 SCALE: 1:4

Handwritten signature and date: 2/11/2018

2007\_112000



Shot on vivo Zix  
Vivo AI camera

