

**ENQUIRY**

To

**Sub:** Inviting offer for the Procurement of Indoor Resin Cast Current Transformer with primary Copper bus bar - Reg.

\*\*\*\*\*

**QUOTATION TO BE:**

Submitted on or <b>before 17.12.2019 -5 Pm</b>	Opened on <b>18.12.2019- 3.00 PM</b>
Kept valid for <b>3 months</b> from the date of opening	Submitted in <b>ONE</b> part

Wax Sealed quotations are invited for the Procurement of Indoor Resin Cast Current Transformer as per Specification and as per the terms and conditions mentioned therein.

**Terms and conditions:**

1. The rate quoted should be firm and inclusive of GST, freight door delivery to PPCL site and other charges as admissible and should not be altered at any cost.
2. The materials should be original and specified make only.
3. The materials should be directly supplied to the PPCL site, T. R. Pattinam, Karaikal - 609 606, on door delivery basis.
4. **Payment: 100%** Payment will be made **within 30 days** from the date of receipt of your invoice after receipt of materials in good condition.
5. The bill in triplicate along with **Advance stamp fixed and signed receipt** should be sent to the undersigned for effecting payment. Part payment will not be made for the supplied items.
6. The delivery period and mode of dispatch should be clearly specified.
7. Validity: Your offer should be **valid for 90 days** from the date of tender opening.
8. The supplier should produce the necessary test, guarantee/warranty certificates for the Current Transformers at the time of delivery
9. Wax sealed quotations should be superscripted as "**QUOTATION/ENQUIRY NO. T-175** for the supply of Indoor Resin Cast Current Transformer with primary Copper bus bar.
10. Quotations through fax /e-mail not accepted.
11. If the tender opening date happens to be a holiday, the tender will be opened on the next working day.
12. GST details of the agency to be furnished along with the offer.
13. Our **GSTIN No.34AAACP6507E1ZS** is registered with Commercial Taxes Department, Puducherry.
14. The undersigned reserves all rights to accept/reject any or all the quotations without assigning any reasons thereof.

  
20/11/2019

**EXECUTIVE ENGINEER (MECH)-PLANT**



**ENQUIRY PAGE NO . 2**

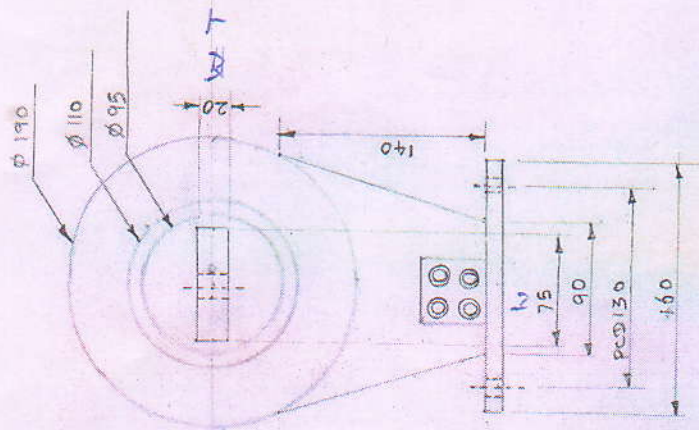
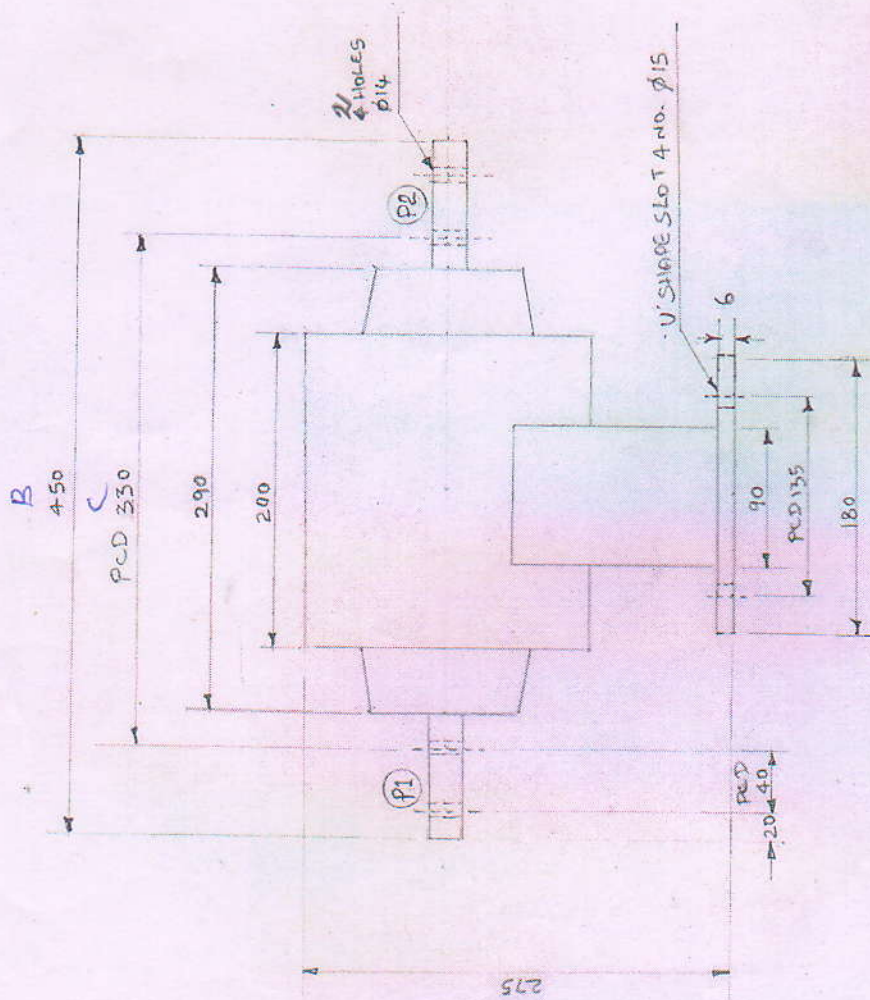
Sl. No.	Description	Qty Reqd	Unit Rate In Rs.	Total Amount (in Rs.)
01	<p><b><u>Indoor Ring Type Resin Cast Current Transformer with Primary Copper Bus bar</u></b></p> <p>Indoor Resin Cast Current Transformer with Bar Primary (Bar Primary should be copper bar with tin coated)                      Make: Kappa/Silkaans                      Bar Dimensions W=75mm, T=20mm, B=450mm, C=330mm.                      Sys.Voltage:11KV Type:CB4-08(Ring)/CB4-21                      VA /Class for Core 1:20 VA / 0.2S                      VA /Class for Core 2:15 VA/5P 20                      Ratio: 2000/1-1 A                      ILV: 12/28/75Kv, 50Hz STR: 40kA/3 sec, as per IEC61869-1, 2, with sealing Cover.                      Secondary terminal should be on P1 side,                      System of earthing : Non effective earthed.                      (As Per the enclosed dimensional drawing of CT)</p>	03		
Sub - Total				
Add: Packing & Forwarding charges@			%	
Add: Freight charges@			%	
Add: GST@			%	
Total Amount				

**Commercial Terms and Conditions:**

Sl. No.	Details	Terms in Tender	Terms Accepted by the Party
1	Price Quoted	F.O.R. PPCL, Site.	
2	Payment Terms	As per the terms and condition Clause 4	
3	Validity	90 Days	
4	Delivery Period	Vendor to specify	
5	Guarantee/ Warrantee	As per the Enquiry	
6	Acceptance of All the Terms and Condition of the Enquiry	To be Accepted	

**Signature of the party with seal**





INDOOR RESIN CAST BAR PRIMARY CURRENT TRANSFORMER

ALL DIMENSIONS ARE IN MM

SCALE: 1:4